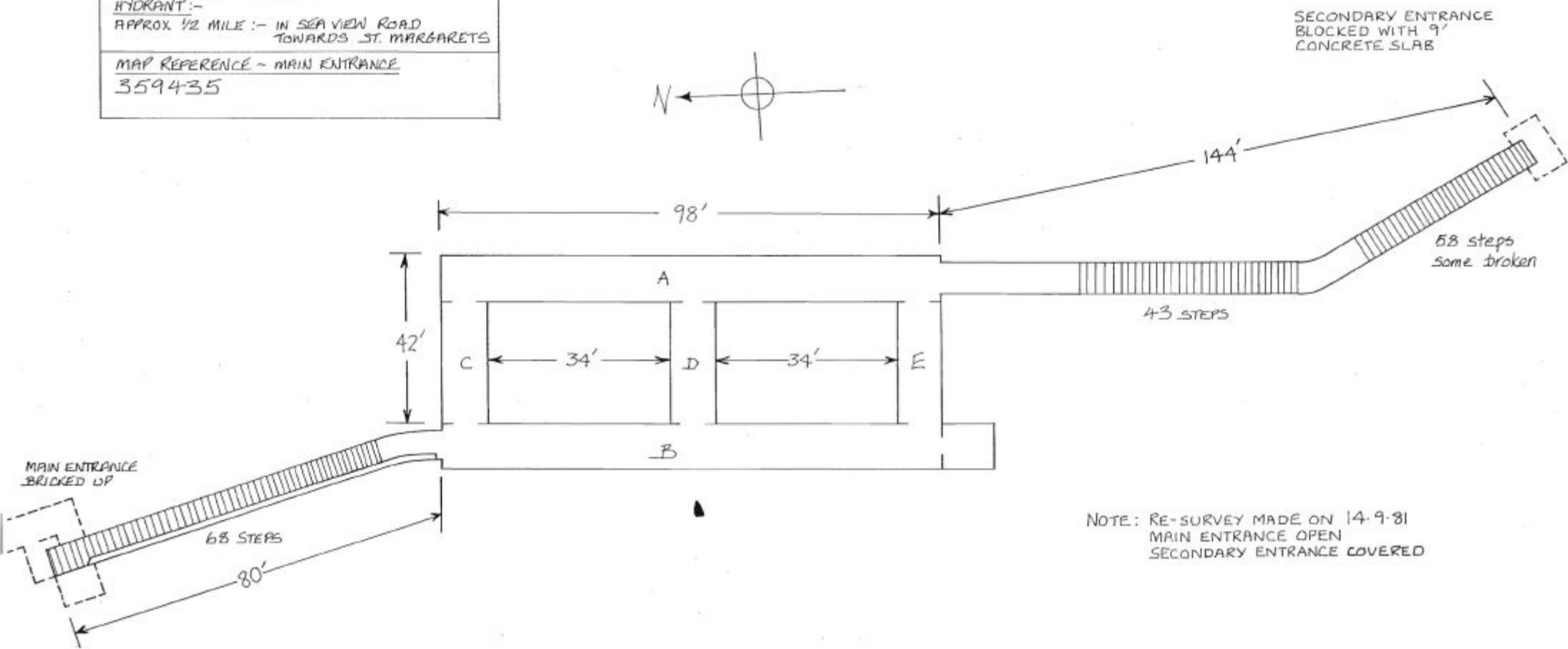


<u>DIMENSION OF TUNNELS</u>
A, B, C, D, + E :- 9' RINGS
STAIRCASES :- 6' RINGS
<u>HYDRANT :-</u>
APPROX 1/2 MILE :- IN SEA VIEW ROAD TOWARDS ST. MARGARETS
<u>MAP REFERENCE - MAIN ENTRANCE</u>
359435



NOTE: RE-SURVEY MADE ON 14.9.81
 MAIN ENTRANCE OPEN
 SECONDARY ENTRANCE COVERED

UNDERGROUND WORKINGS at
SEA VIEW ROAD
ST. MARGARETS AT CLIFFE
 Date 27.7.69