

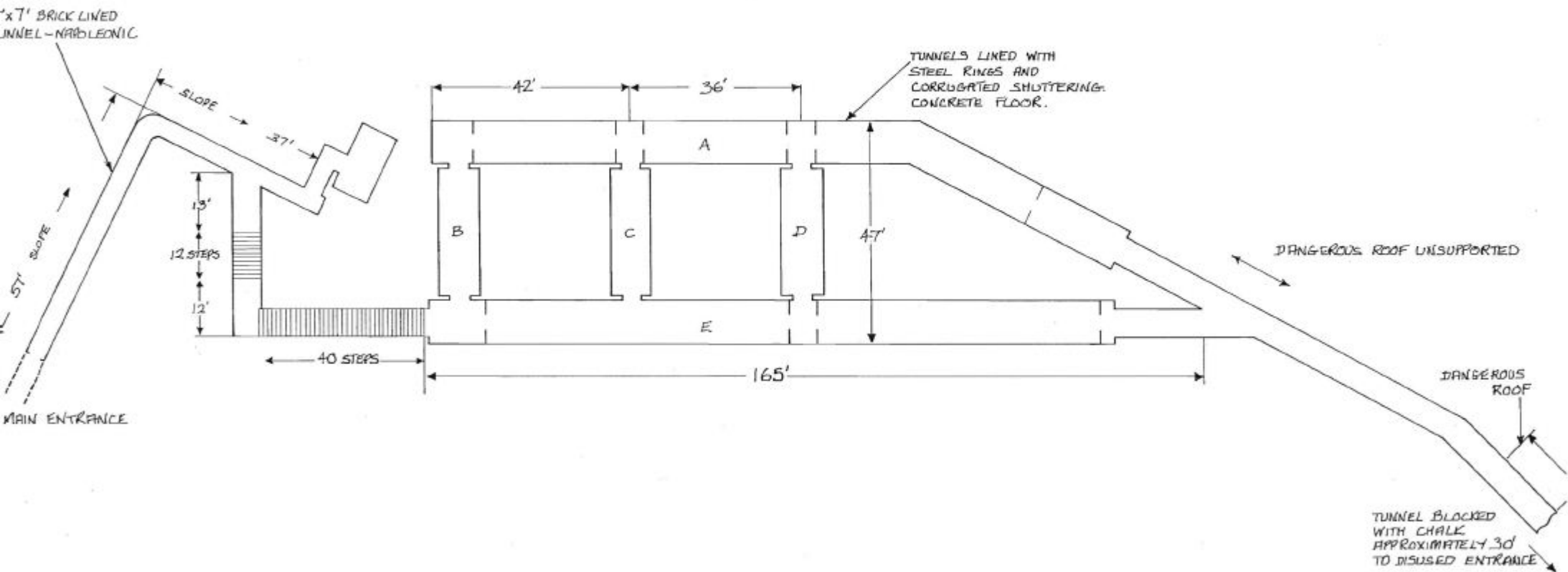
DIMENSIONS OF TUNNELS

A B C D and E :- 9' RINGS
ALL OTHER TUNNELS :- 6' RINGS
EXCEPT WHERE SHOWN

WATER SUPPLY

HYDRANT AT KNIGHTS TEMPLARS NO 9.

MAP REFERENCE FOR MAIN ENTRANCE
31A408



UNDERGROUND WORKINGS AT ST. MARTIN'S BATTERY

WESTERN HEIGHTS DOVER

DATE 16.10.69